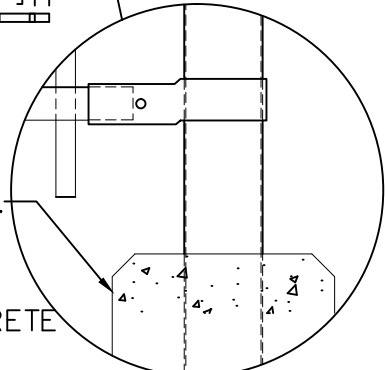


TOP MOUNTED  
ON CONCRETE  
OR WOOD



POST EMBEDDED  
IN CONC. MIN. 4ft.  
DEEP.

EMBEDED  
IN CONCRETE

**SPECIFICATIONS:**

POSTS, RAILS: COLD FORMED STEEL TUBING  
& PICKETS

FINISH: INTERIOR AND EXTERIOR GALVALUME COATING  
CHROMATE CONVERSION COATING  
ELECTROSTATICALLY APPLIED  
THERMALLY BONDED POLYESTER POWDER COATING  
MINIMUM FILM THICKNESS 2.5 MILS

POST CAPS: PYRAMID OR BALL

POSTS: 51mm x 51mm (2" x 2") x 14 GAUGE  
STANDARD POST SPACING 2483mm (97 3/4") C/C

PICKETS: 16mm x 16mm (5/8" x 5/8") 18 GAUGE

RAILS: 25mm x 25mm (1" x 1") 14 GAUGE

FITTINGS: 15 GAUGE STAMPED FORGED FACTORY FINISH

WELDS: STAINLESS STEEL

STANDARD PANEL HEIGHTS:  
1300mm (52"), 1550mm (64")

STANDARD PANEL WIDTH:  
2346mm (92 3/8")

STANDARD GATE OPENINGS INSIDE POSTS:  
975mm (39"), 1175mm (47")  
1550mm (62")

COLOURS:  
STANDARD—HIGH GLOSS: BLACK & WHITE  
OPTIONS—FENCE BROWN, FENCE GREEN  
CUSTOM COLOURS AVAILABLE UPON REQUEST

WARRANTY: 5 YEAR "WORRY FREE"

COMMENTS:



TITLE: **IRON FENCES  
STYLE AF-I4**

DRAWING No.  
**AF-I4**

CHK'D: DATE: MAR.6/2020